

HARRIS AIR TC 350



EN - This tent should be erected by at least 2 people

CZ - This tent should be erected by at least 2 people

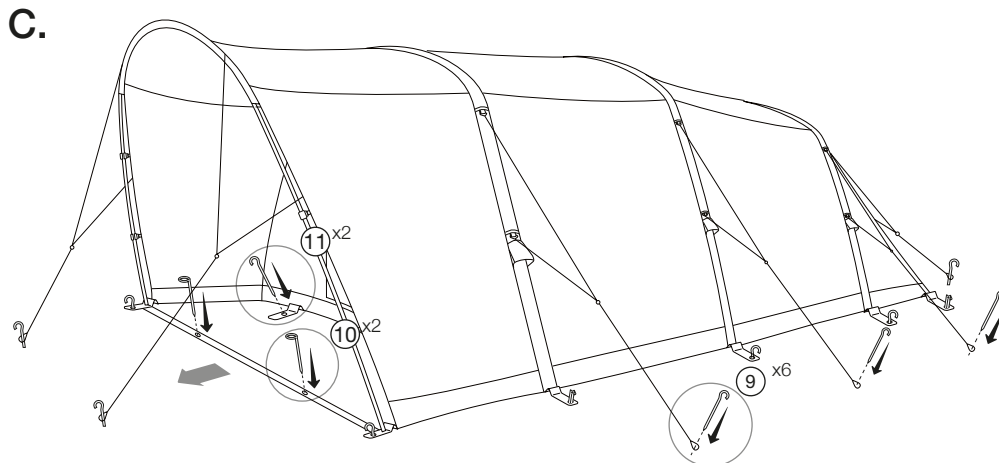
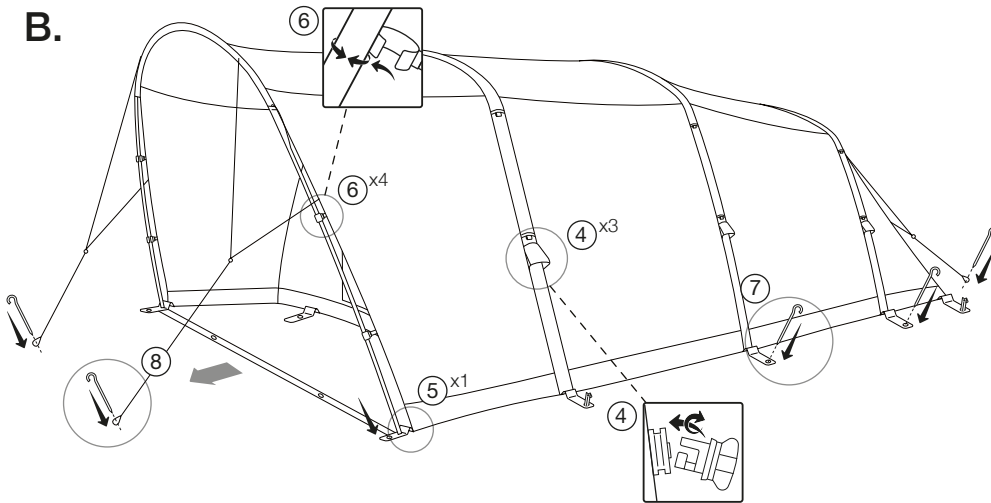
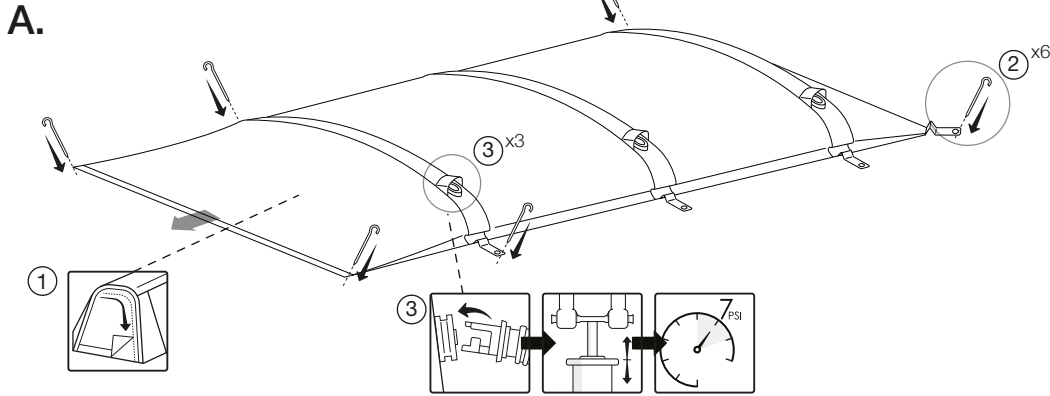
DE - This tent should be erected by at least 2 people

FR - This tent should be erected by at least 2 people

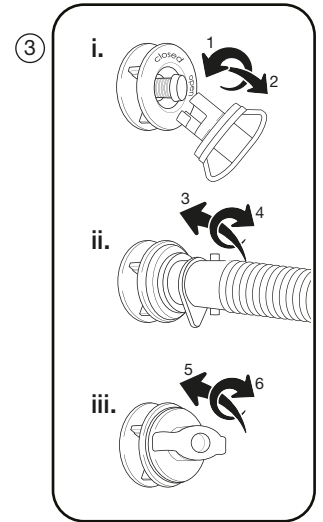
IT - This tent should be erected by at least 2 people

NL - This tent should be erected by at least 2 people

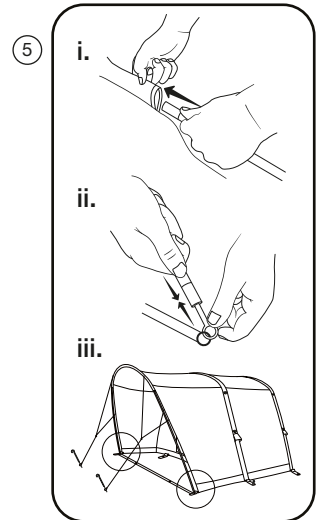
PITCHING



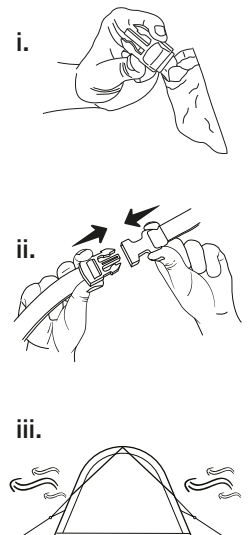
Airspeed®



Poles



TBS® II



HARRIS AIR TC 350



EN - This tent should be taken down by at least 2 people

CZ - Tento stan by měl být sundán nejméně 2 osoby

DE - Dieses Zelt sollte von mindestens zwei Personen heruntergenommen werden

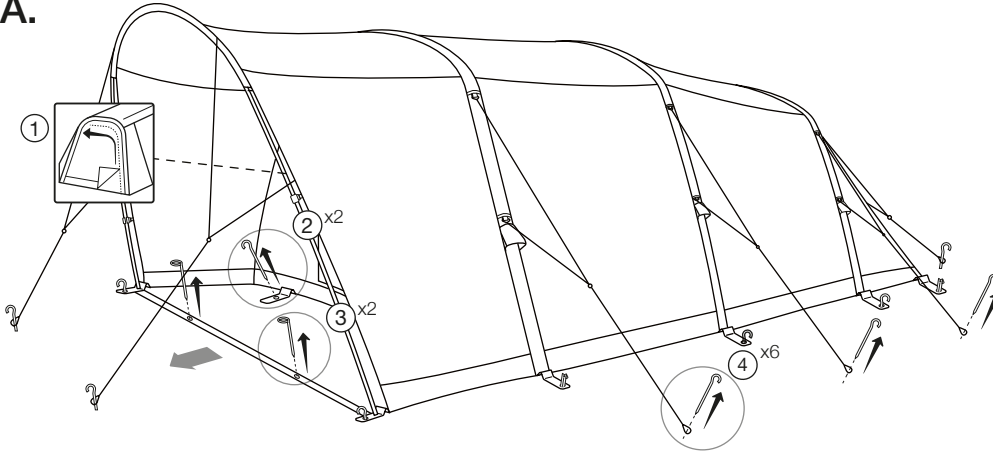
FR - Cette tente doit être prise par au moins 2 personnes

IT - Questa tenda deve essere assunta verso il basso da almeno 2 persone

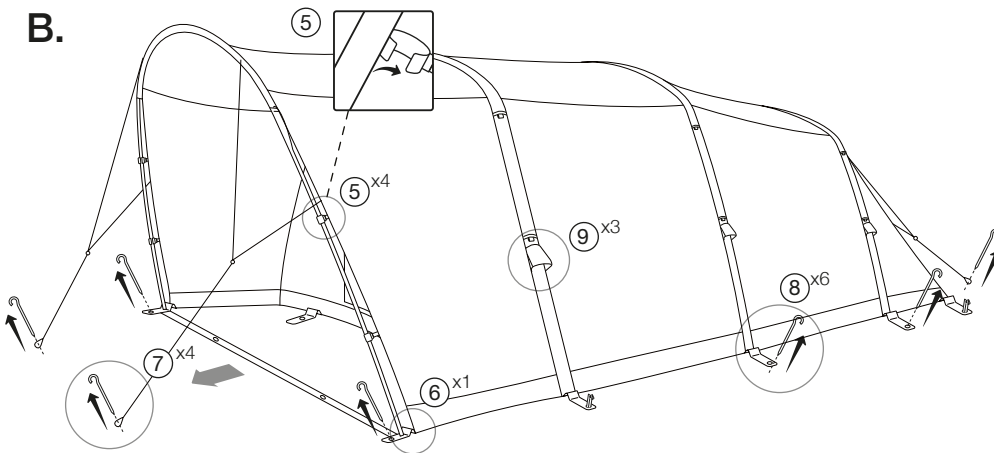
NL - Deze tent moet door minstens 2 personen worden genomen

TAKING DOWN & PACKING

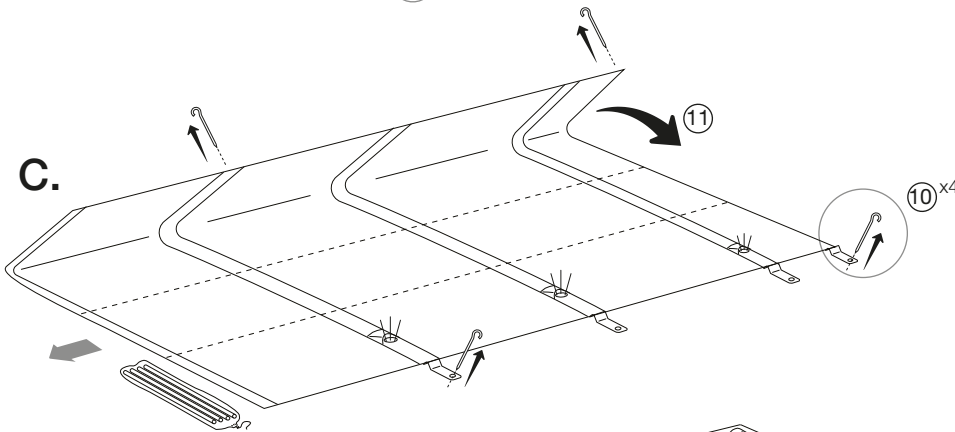
A.



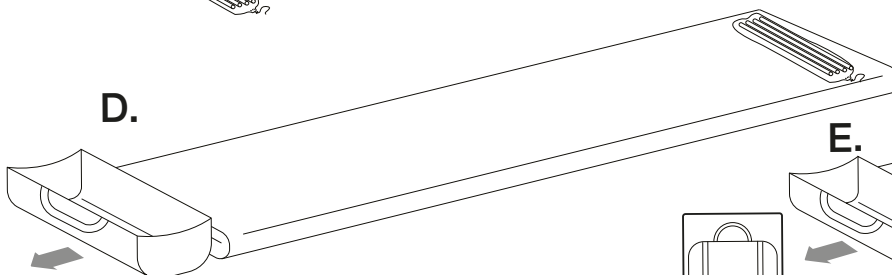
B.



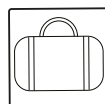
C.



D.

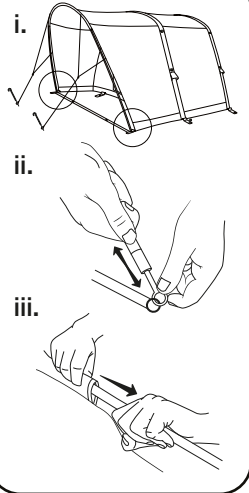


E.



Poles

⑥



Airspeed®

⑨

