

XENON UL AIR



EN - This tent should be erected by at least 1 people

CZ - Tento stan by měl být postaven nejméně 1 osobou

DE - Dieses Zelt sollte von mindestens zwei Personen aufgestellt werden

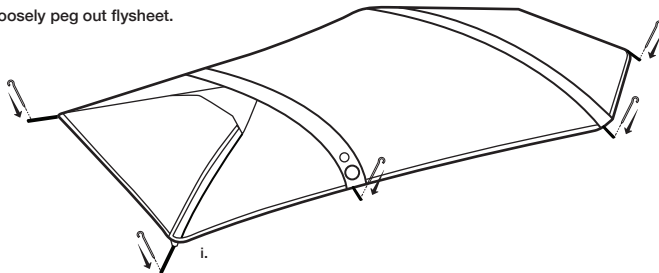
FR - Cette tente doit être érigée par au moins 1 personnes

IT - Questa tenda deve essere eretta da almeno 1 persone

NL - Deze tent moet worden omgeven door minstens 1 personen

PITCHING

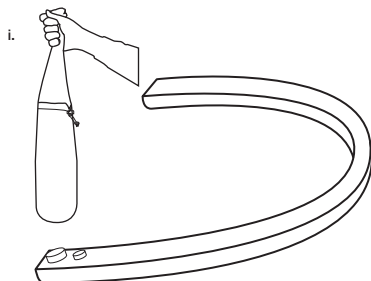
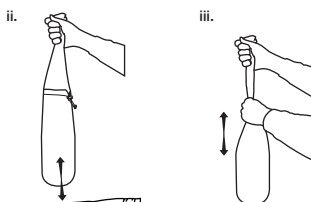
A. i. Loosely peg out flysheet.



B. The pumpsack can be used to inflate the beam quickly using the method described below. Do not inflate directly with your mouth, moisture from breath can speed the degradation of the TPU inner coating. The pumpsack can only inflate to a low pressure & a bike pump should be used to get to a firm 6 PSI.

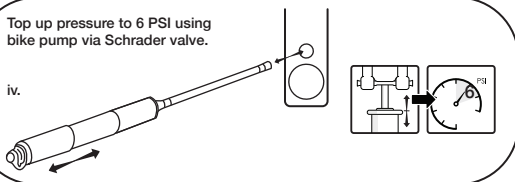
The pumping action for using the pump sack:

- i. Extend tent bag to double length.
- ii. Attach tent bag/ pump sack end valve to large valve on tube and inflate tent bag by blowing into it from a distance.
- iii. Compress tent bag as shown.

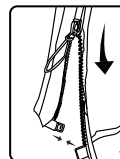


Top up pressure to 6 PSI using bike pump via Schrader valve.

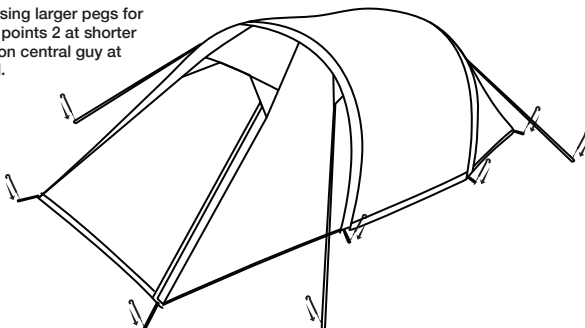
iv.



v. Close door & close zip clip



C. Peg out using larger pegs for main peg points 2 at shorter end, one on central guy at lower end.



XENON UL AIR



EN - This tent should be erected by at least 1 people

CZ - Těto stan by měl být postaven nejméně 1 osobou

DE - Dieses Zelt sollte von mindestens zwei Personen aufgestellt werden

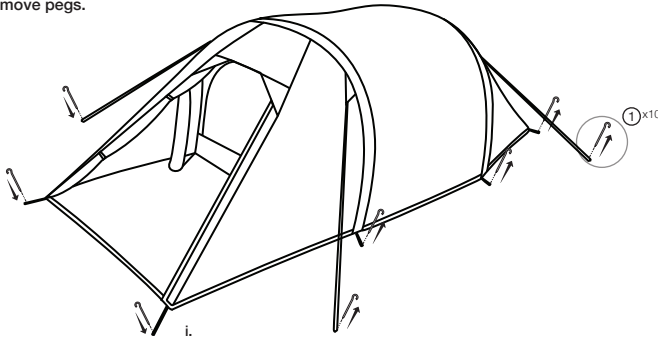
FR - Cette tente doit être érigée par au moins 1 personnes

IT - Questa tenda deve essere eretto da almeno 1 persone

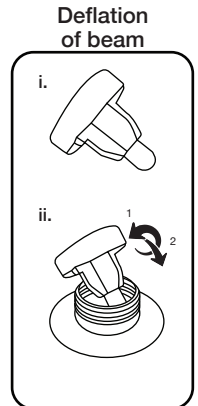
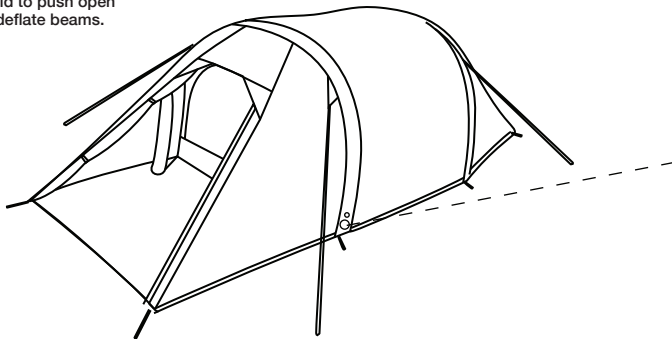
NL - Deze tent moet worden omgeven door minstens 1 personen

TAKING DOWN & PACKING

A. i. Remove pegs.

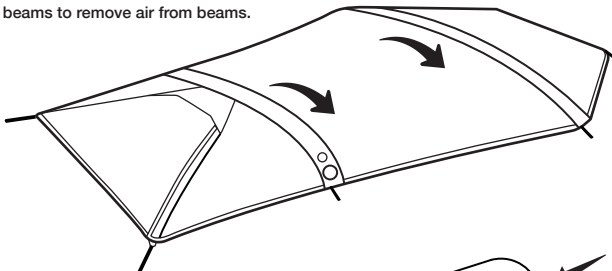


B. Use valve lid to push open valve and deflate beams.



- i. Use valve lid to push open valve and deflate beam.
- ii. Roll beam to remove air from beam.

C. Roll beams to remove air from beams.



D. Fold up flysheet and put back into the stuff sack.

